

BRACKET DETAIL

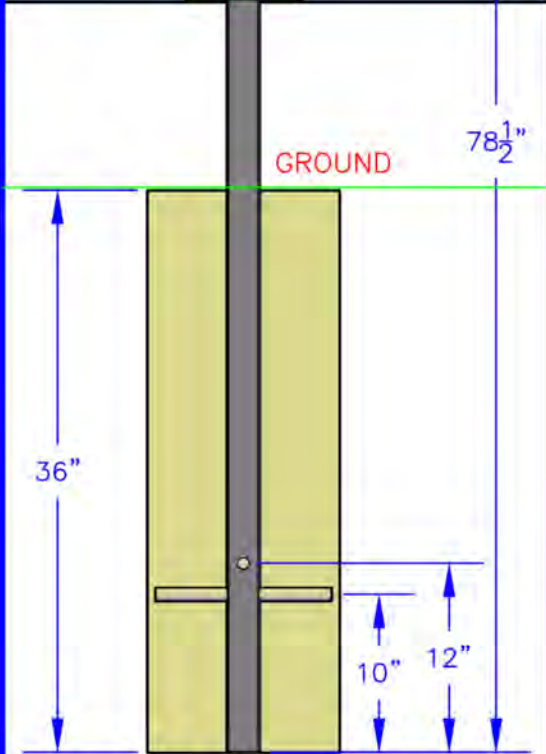
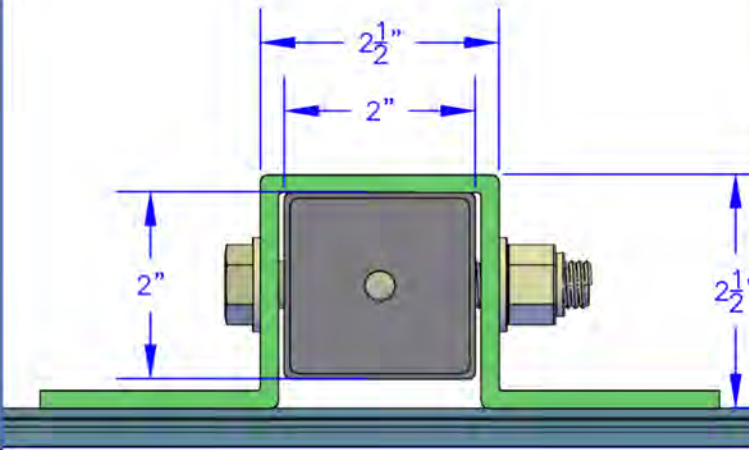
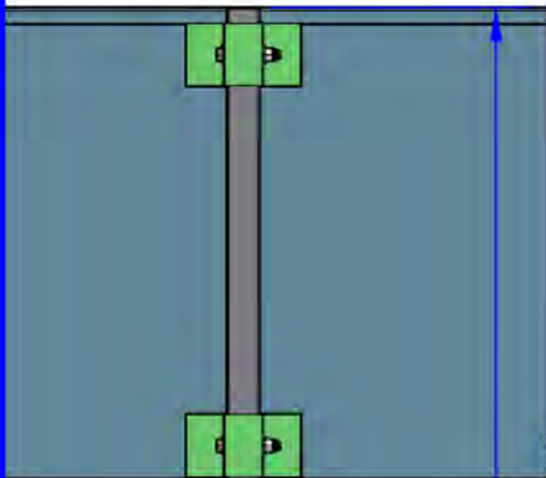
SCALE 1:2

POST MOUNT SYSTEM

Designed to secure lockers using in ground anchors. Heavy duty 2"x 3/16" Square Tube Posts extend 36" into ground and are attached using 1/2" bolts with locking nuts onto mounting brackets welded to locker.

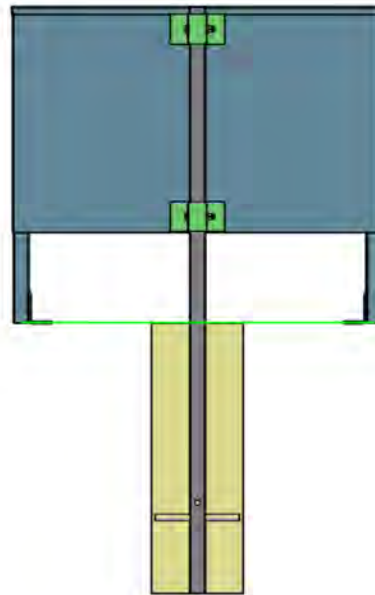
Mounting system can be done using one central post or two post system.

Mounting system and hardware are powder coated to match locker finish using industry leading UV and corrosion resistant, weather proof powder coat.



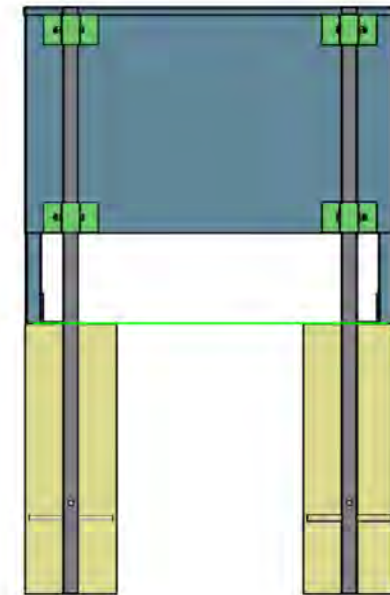
BACK VIEW

SCALE 1:12



1 MOUNT POST

SCALE 1:25



2 MOUNT POSTS

SCALE 1:25



BEARICUDA BINS - PO Box 56, 3 West St.,
Ste 3E, Litchfield, CT 06759-0056 877-232-7428
www.bearicuda.com

PRODUCT: Whistler Outdoor Lockers (LOC)

DESCRIPTION: POST MOUNTING SYSTEM FOR CAMPSITE LOCKERS

DETAILS: SHOWN AT 78 1/2" LENGTH FOR MPCSL-S-30 IN FORREST GREEN

SCALE: VARIES

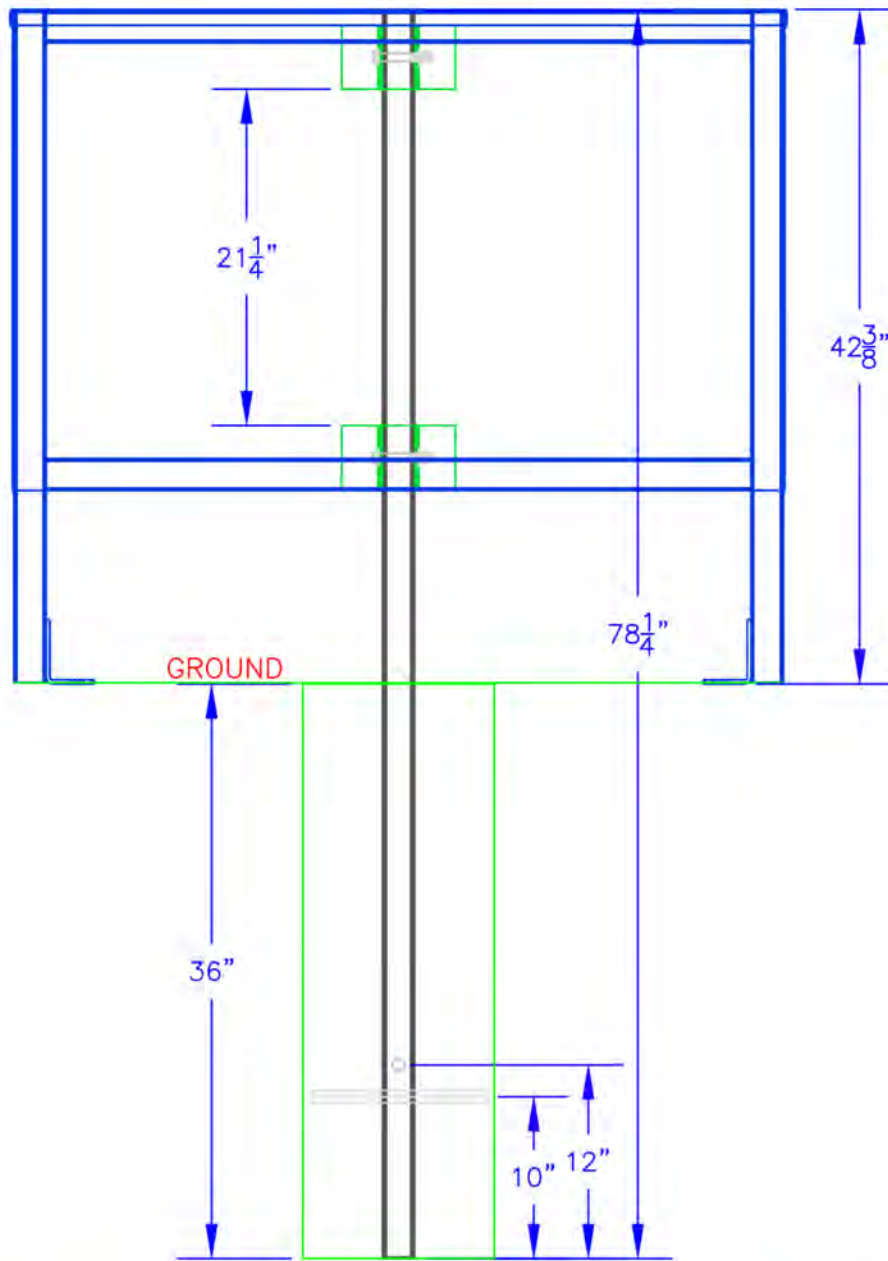
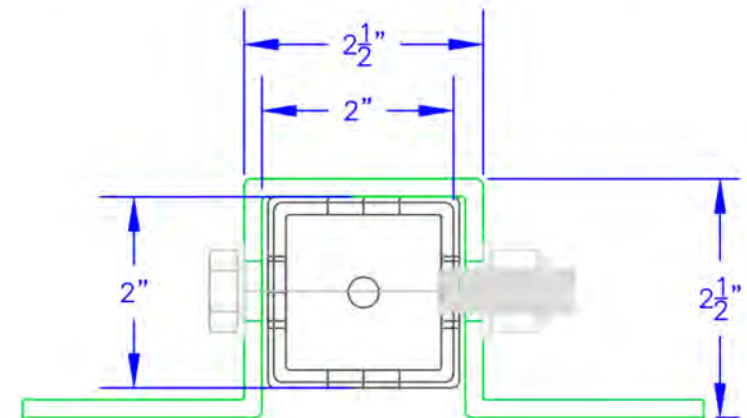
DATE: 02-15-23

78 1/4" Mount Post System for In Ground Anchors

HARDWARE for 1 Mount Post Includes:

- | | |
|---|--|
| 1 | 2 x 2 x 3/16" Square Tube @ 17 1/4" Length |
| 2 | 2 1/2" x 2 1/2" Mounting Brackets |
| 2 | .50-13 x 3 3/4" Hex Bolt |
| 2 | .50-13 Nylock Nut |
| 3 | .50 x 1 1/4" Washer |

The Post Length is customized for specific Lockers. The 78 1/4" Post is designed to provide a 36" in ground post anchor depth for cement mount. The 78 1/4" Post designed to fit LOC103 30 CU FT Campsite Locker which has a Height of 42 3/8".



BACK VIEW

SCALE 1:12

BRACKET DETAIL

SCALE 1:2



BEARICUDA BINS - PO Box 56, 3 West St.,
Ste 3E, Litchfield, CT 06759-0056 877-232-7428
www.bearicuda.com

DESCRIPTION: POST MOUNTING SYSTEM FOR CAMPSITE LOCKERS

SCALE: VARIES

PRODUCT Whistler Outdoor Locker (LOC103)

DATE: 02-15-23

DRAFTER: R. SAHOTA

MATERIAL: AS NOTED

PATH NAME: PRODUCTS/MOUNTING SYSTEMS

TOLERANCES: ± .0313 AND .5"
SHEET 1 OF 1